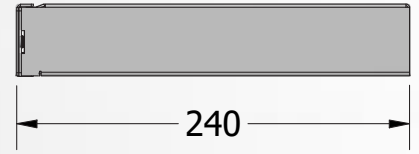
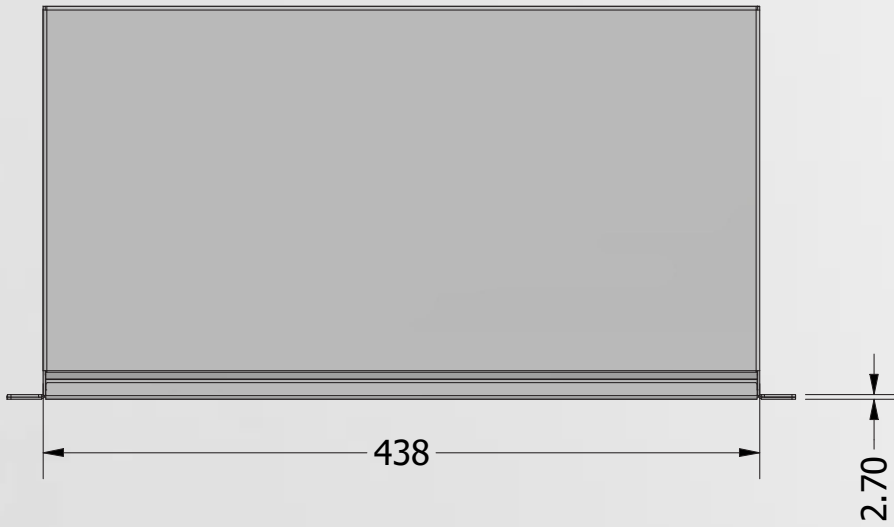


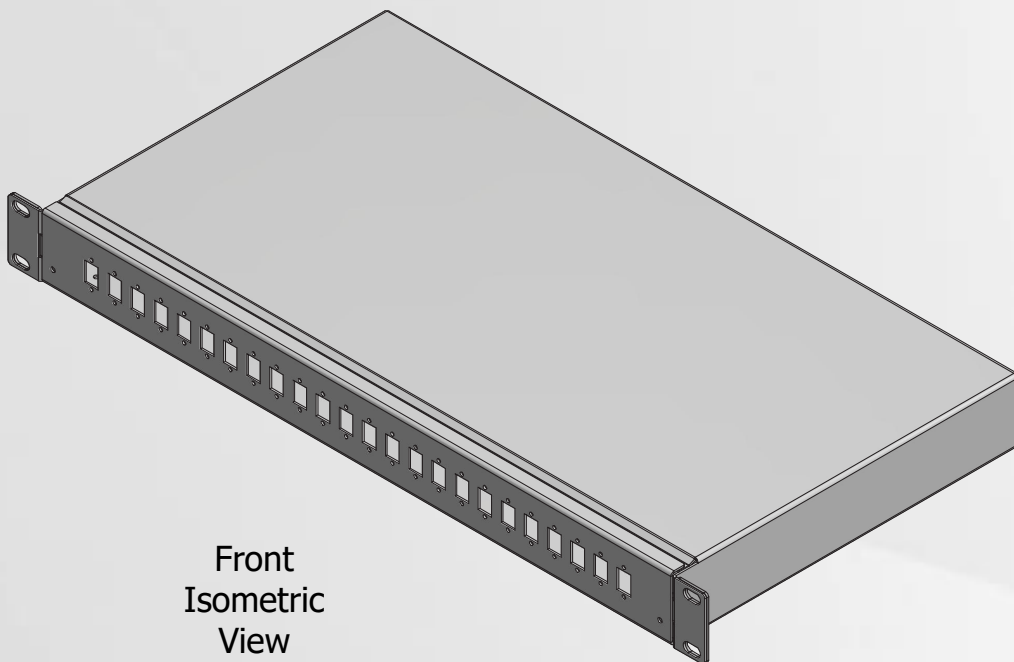
Front View



Side View



Top View



Front  
Isometric  
View