

# WT SERIES NETWORK WALL TYPE CABINET



WT Series NETWORK Wall Type Cabinets are designed for small or medium sized network installation requirements.

All types of 19" equipments of all trademarks and models are readily housed by keeping them in connection with each other, within said professional, wall type network cabinets. Thanks to its mountable structure to the wall, it may be easily used in cases where space is limited.

## AESTHETIC VIEW

It presents an aesthetic view by means of its robust appearance, aluminum frame, and elegant and decorative structure of its front glass door. It adds value to the ambient in which it is installed by its appearance and application.

## DURABLE PROFILES

Main carcass profiles clinched at the upper and lower chassis of the steel construction of the cabinet adds maximum soundness and resistance.



## MOUNTED DISPATCH

WT Series NETWORK wall cabinets are delivered mounted, as one-piece and pursuing safety of the transportation.



STANDARDS AND COMPLIANCES
ISO9001:2008 Quality Management System
IEC 297-1, 19" mounting standard
IEC 297-2, Overall cabinet dimensions
TS EN 61587-1 Standard.
Environment Friendly
%100 recyclable.



## DIVERSE OPTIONS OF DEPTH AND HEIGHT

It offers 10 different size options in total with two different depth dimensions (450mm-560mm) and 5 different U heights (7U-9U-12U-16U-20U). It provides solutions in optimum volume and cost, meeting all such needs.

## SAFE CONSTRUCTION

All of the front and side door options own barrel locking system.

## ADJUSTABLE DEPTH

Standard cabinet is delivered having 1 set and 2 device installation rails mounted thereon. Device installation rails enable the depth adjustments of the devices to be applied into the cabinet.

## U BRANDING

U branding is performed on the device installation rails of the cabinet, by automatic serigraphy machine.

U branding helps indexing of the devices housed in the cabinet as well as facilitates installation thereof.

## ADDITIONALITY

In cases where devices with 4 points connections or racks with 4 points connections are to be used inside the cabinet, an additional 1 set device installation rail may be ordered and installed in addition to the standard 2 device installation rails.





## ACTIVE/PASSIVE VENTILATION

By attaching ventilation module with 2 fans maximum to the ventilation hole at the upper chassis of the cabinet, **active ventilation** is achieved.

If no fan module is attached these ventilation holes enable air circulation inside the cabinet and discharging of the hot air by **passive ventilation**.

## MULTI DIRECTIONAL CABLE INLET

By means of 145mm x 70mm cable inlet holes at the upper, lower and rear door of the cabinet, it provides cable inlet at **3 directions** which in turn facilitates installation.

## THERMOMETER

You can check inside heat of cabinet directly



## SAFE CABLE INLET

Thanks to the **rubber edged** cable entry module, movable for 0-50 mm and with sliding compression system incoming cables are compressed safely whereas dust is reduced inside at maximum levels.

## DISPLACEABLE HOLE MODULES

Standard cabinet is delivered with 1 rubber edged cable entry module for cable inlet and 2 PVC doors, installed thereon.

PVC lids and rubber edged cable entry module may be easily displaced and attached to the desired hole, according to the cable inlet direction.



## MULTI DIRECTIONAL ACCESSABILITY

Enabling 3 directional access at wall type applications, 4 directional access at free standing applications, 4 directional access at wall type with attached body applications, it facilitates installation and maintenance.

## GROUND CONTACT

Bottom corners of the cabinet bear 4 **PVC feet modules** of 10mm height.

By means of these PVC feet modules, narrow and short free standing cabinets are available for use on the ground or below tables.

If required, free standing applications may be used with a caster group provided optionally.

## AVAILABLE STOCKS ALL THE TIME

As standard white cabinets are produced in a continuous flow system, they are readily present in adequate amounts at **stocks**.

Door and color options are manufactured upon demand and delivered afterwards.

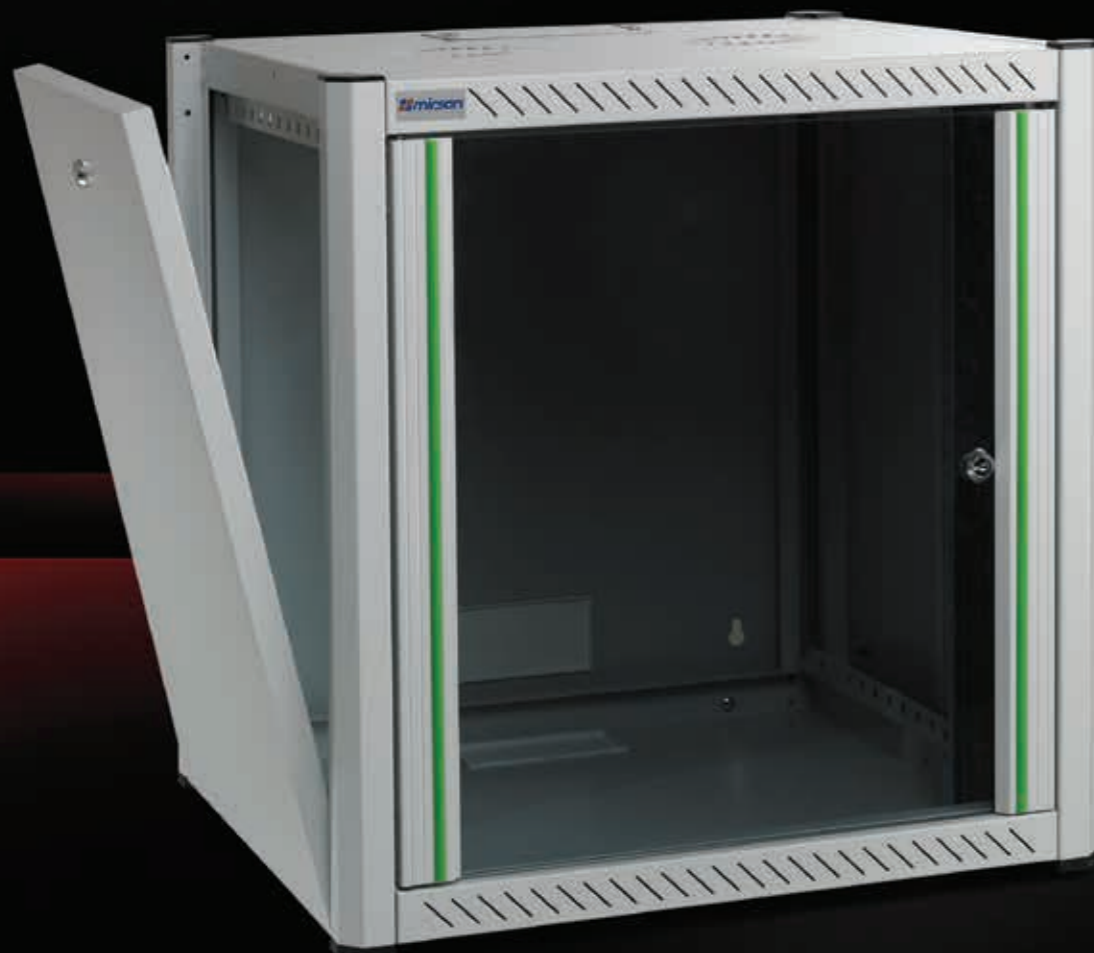
## FRONT DOOR MODEL

Front door model for standard Wall Type cabinets is **full length glass door** model with aluminum extrusion frame.

Glass front door with a barrel locking mechanism is 4mm, tempered, smoothed, antistatic, smoke-colored and has high resistance against fractures.

It presents a decorative and aesthetic view with its extruded aluminum frame and colored glass strips.

Front glass door with **spring Loaded hinge system** provides ease of use and installation by being detached and reinstalled without use of any tool and opening direction of which may be easily changed, when required.



## SIDE DOOR MODEL

Standard door model for the WALL type cabinets are detachable, metal models.

Easily detachable side doors have **barrel locking system**.



## REAR DOOR MODEL

Rear door model for standard Wall Type cabinets is of **bracket type**.

As the bracket type rear door model is used as the **installation carcass for wall mounting** applications, it may be easily fixed to the wall.

After fixing the rear door to the wall, cabinet is fixed to the wall by being hooked onto the rear door.

Bracket type rear door has a mechanically lockable structure by being fixed to the lower chassis by means of a screw via 2 installation holes found at the top and bottom.

## COMFORTABLE AND EASY INSTALLATION

Thanks to the bracket type rear door features, inner installation of the cabinets may be performed mostly on the ground or in other available spaces **providing comfort**.

Cabinet may be mounted to the wall following the inner installation performed on the ground.

## HIGH ALTITUDES, LOW RISK

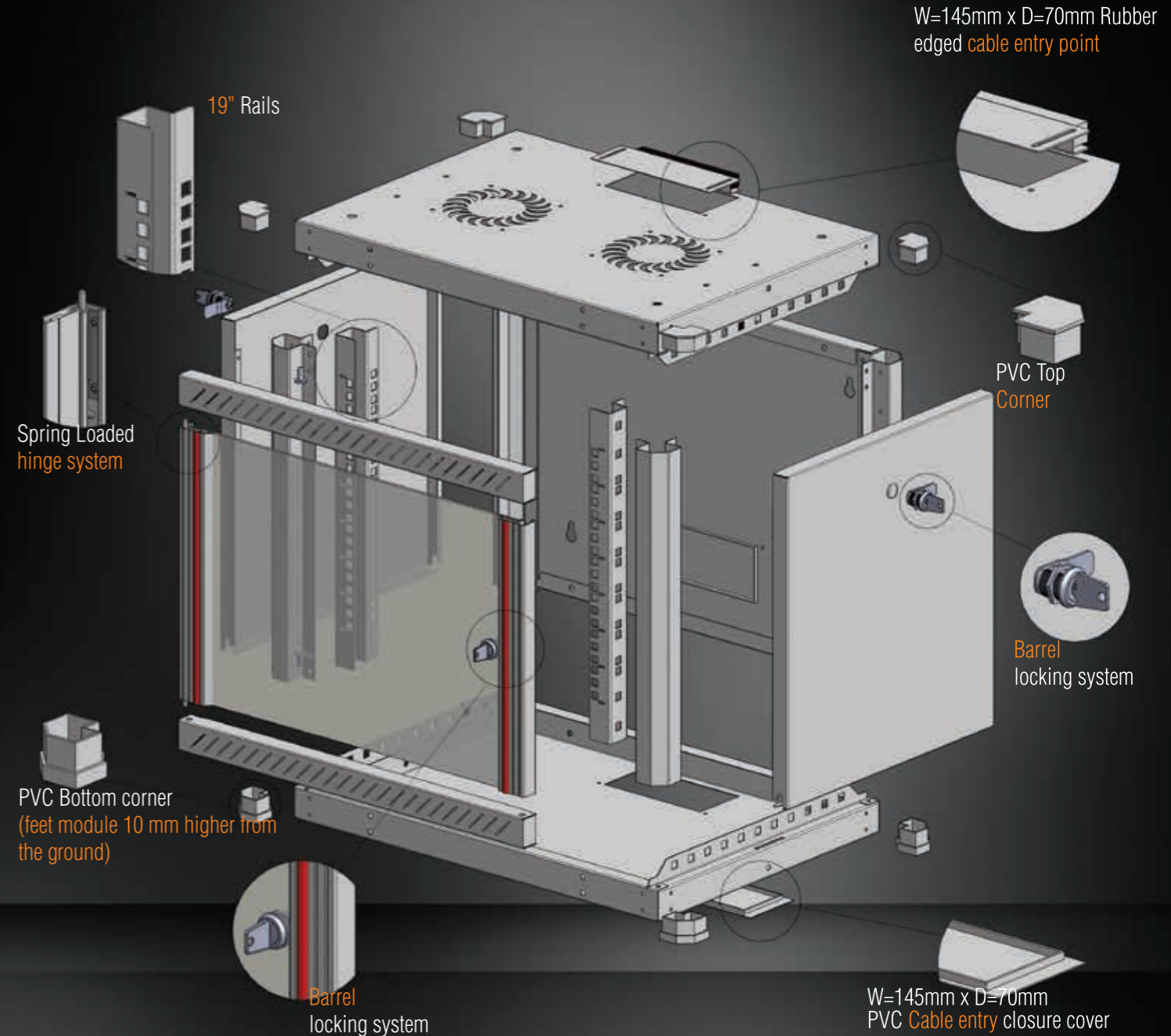
The fact that the cabinet is mounted onto the wall following an installation on the ground prevents potential work accidents otherwise happening at high altitudes and thereby **minimizes the risk** and effort and **maximizes efficiency**.



WIDTH W: 600mm  
DEPTH D: 450mm

**EXPLODED VIEW**

WIDTH W: 600mm  
DEPTH D: 450mm



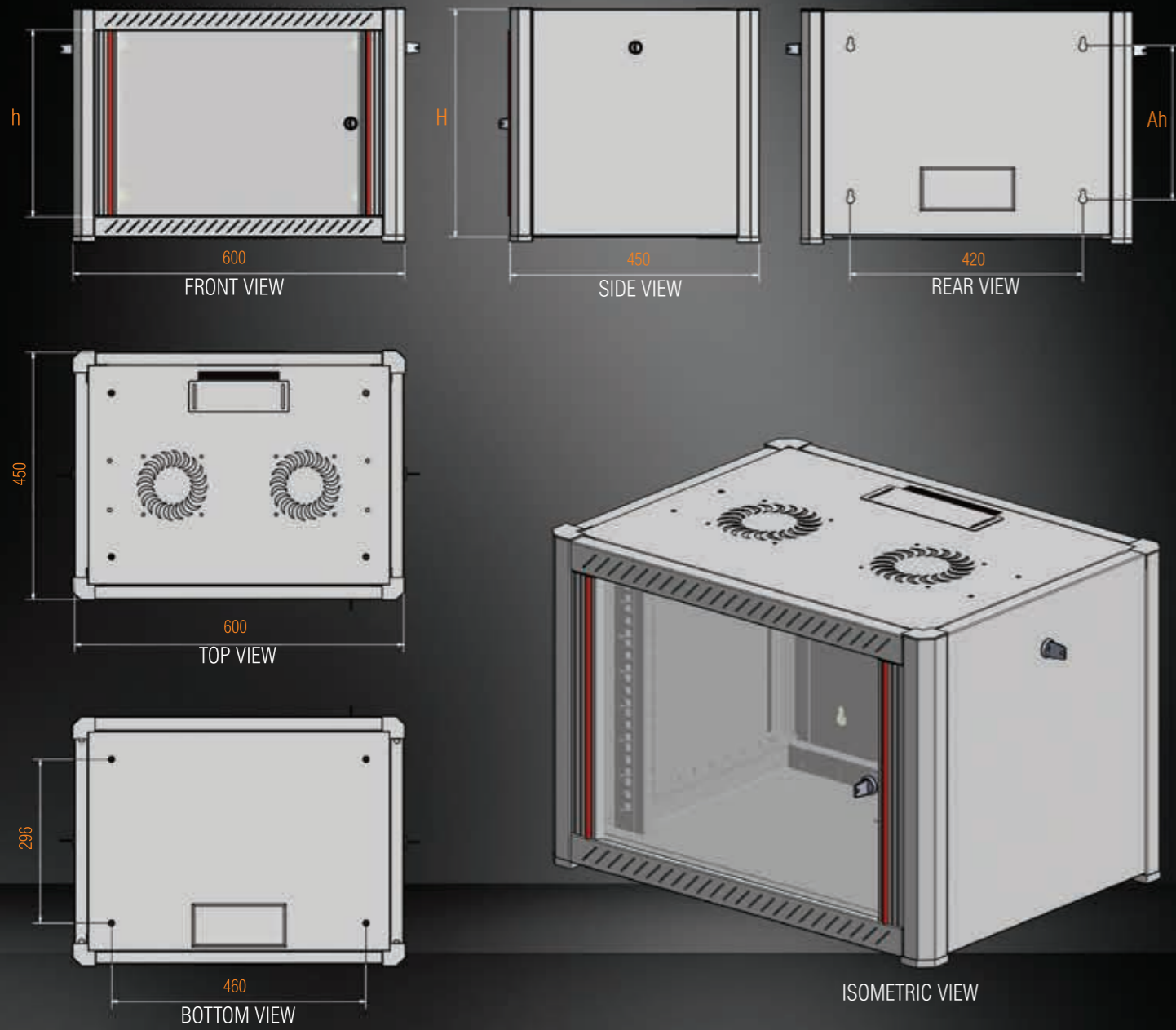
**COLOR OPTIONS**



LOADING CAPACITY : 80kg

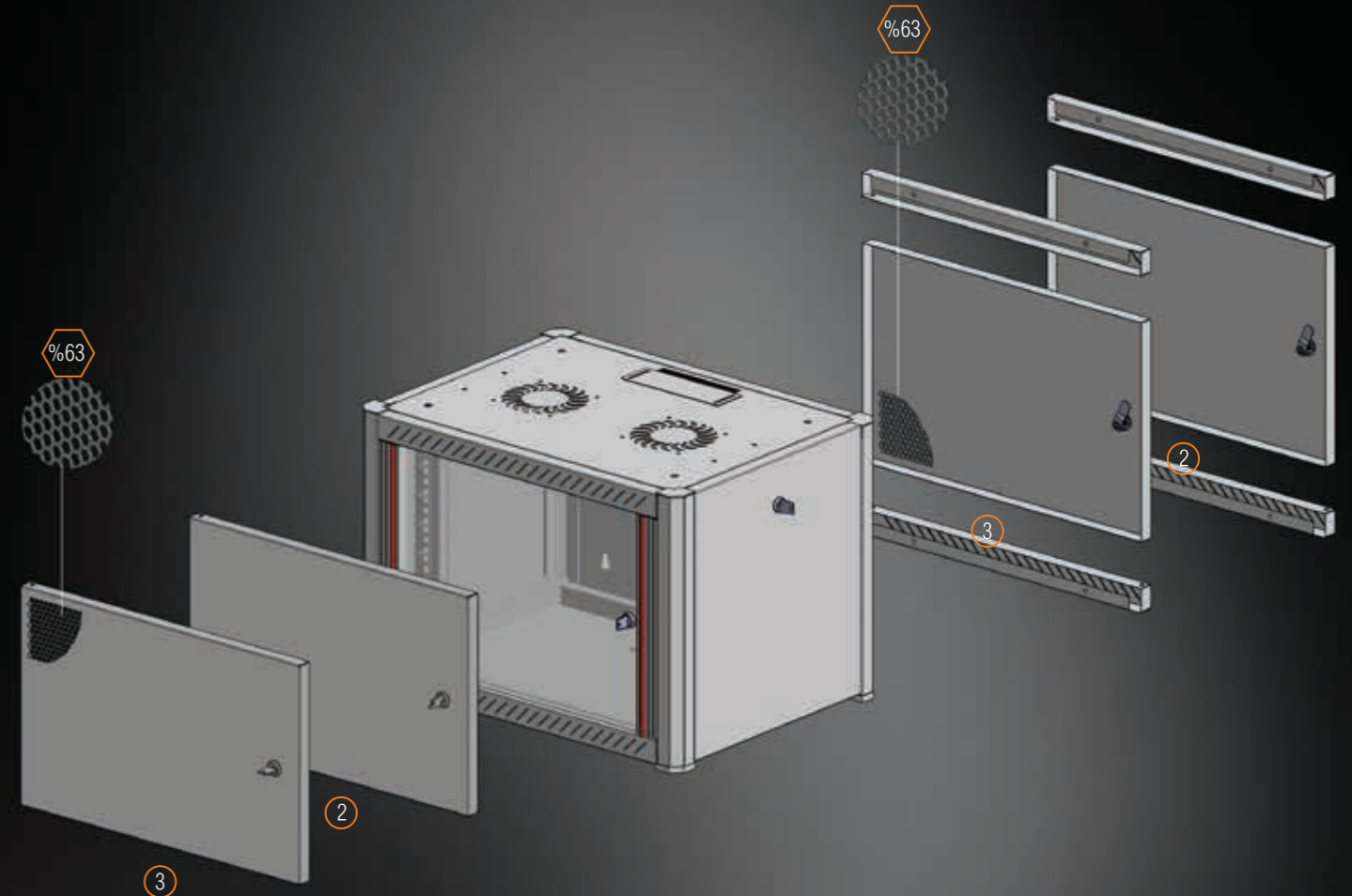
**CONSTRUCTION DRAWINGS**

WIDTH **W:** 600mm  
DEPTH **D:** 450mm



**DOOR OPTIONS**

WIDTH **W:** 600mm  
DEPTH **D:** 450mm



**WT SERIES NETWORK WALL TYPE CABINETS W=600mm D=450mm**

Product Code	Product Description	h Measurement (U)	Product Dimensions WxDxH (mm)	Width Between Rails	Ah Wall Mounting Hole Gaps (mm)	h Measurement (mm)	Package Dimensions WxDxH (mm)	Number in the Package (pcs)	Product Net Weight (kg)	Product Gross Weight (kg)	Number on Pallet (pcs)	Pallet Dimensions WxDxH (mm)	Pallet Weight (kg)	DEPTH: Between rail and rear panel (mm)
MR.WTN07U45.XX	7U W=600mm D=450mm NETWORK	7U	600x450x423	19"	276	343	620x470x450	1	17	18,4	20	1100x1300x2400	390	355
MR.WTN09U45.XX	9U W=600mm D=450mm NETWORK	9U	600x450x512	19"	365	432	620x470x540	1	19	20,3	16	1100x1300x2280	347	355
MR.WTN12U45.XX	12U W=600mm D=450mm NETWORK	12U	600x450x645	19"	498	565	620x470x670	1	23	24	12	1100x1300x2150	310	355
MR.WTN16U45.XX	16U W=600mm D=450mm NETWORK	16U	600x450x823	19"	676	743	620x470x850	1	27	29	10	1100x1300x2450	312	355
MR.WTN20U45.XX	20U W=600mm D=450mm NETWORK	20U	600x450x1000	19"	856	920	620x470x1030	1	32	33,3	8	1100x1300x2250	288	355

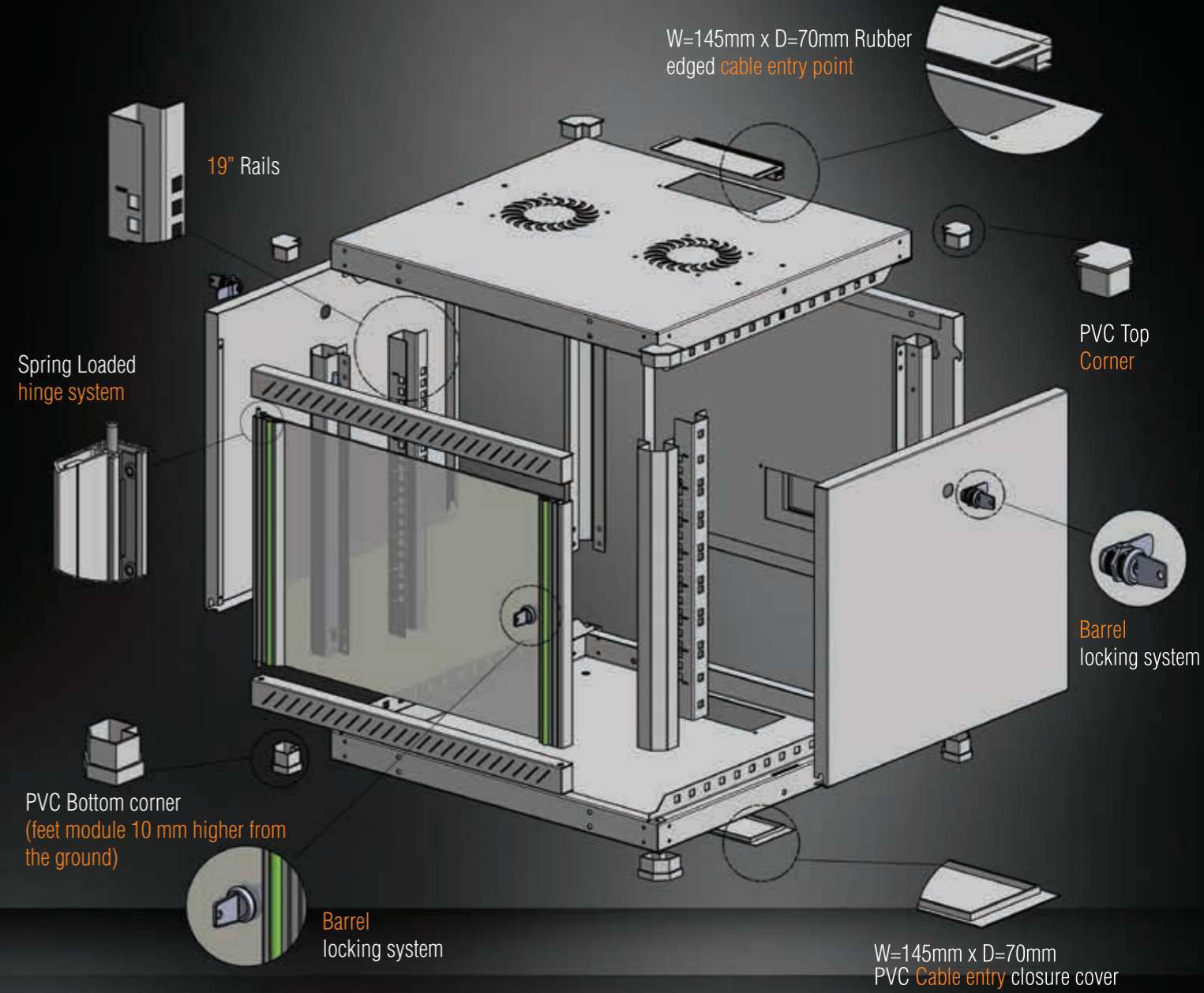
XX= Color Code, 02 means Light Grey RAL 7035 and 01 means Black RAL 9005, the code is added by the customer at the order. When one of the door options is selected, it should be informed at the order with its selected surface. The standard door options: Front Door=1 (Glass Door), Rear Door=1 (Bracket Type Door).



WIDTH W: 600mm  
DEPTH D: 560mm

**EXPLODED VIEW**

WIDTH W: 600mm  
DEPTH D: 560mm



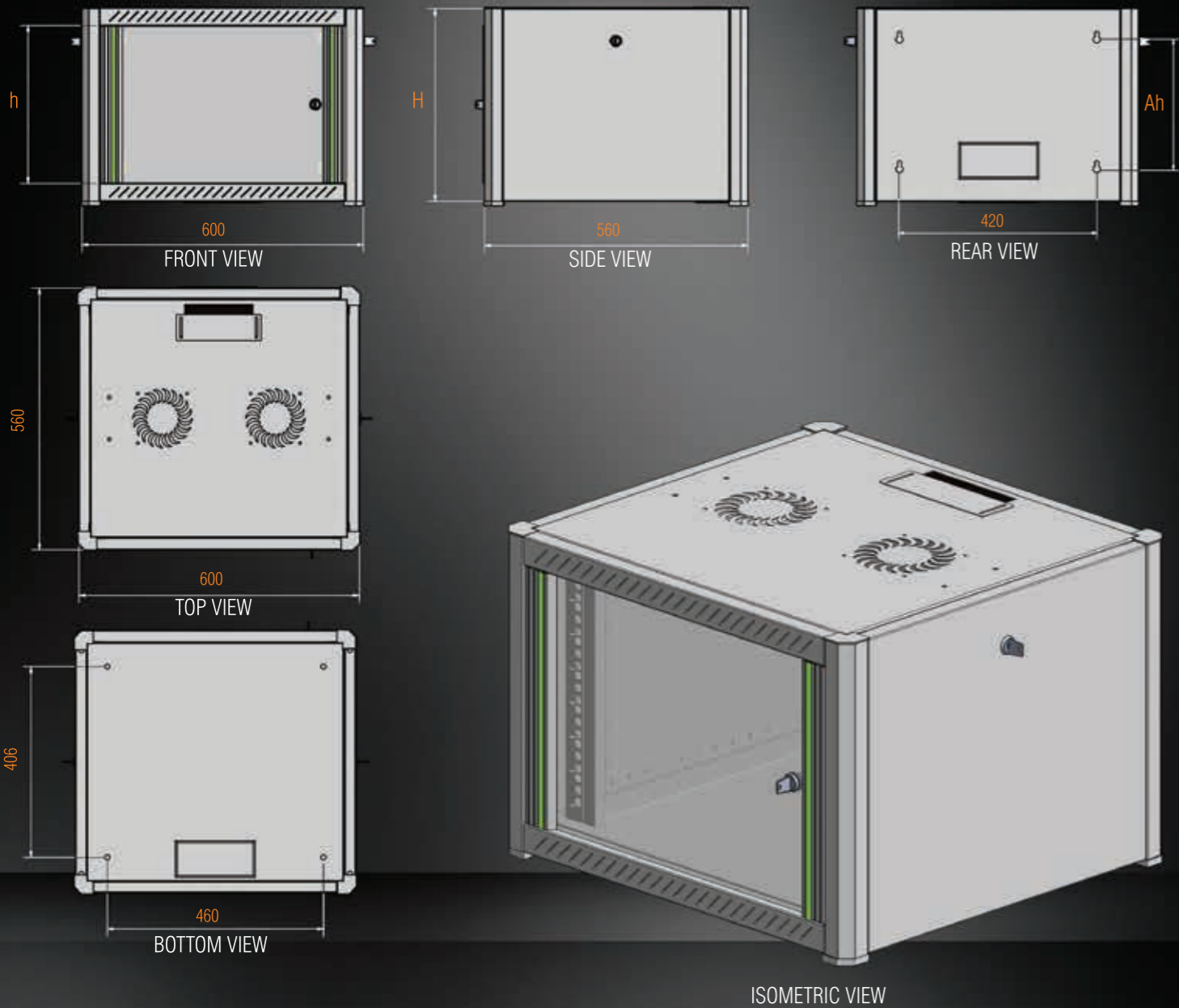
**COLOR OPTIONS**



LOADING CAPACITY : 80kg

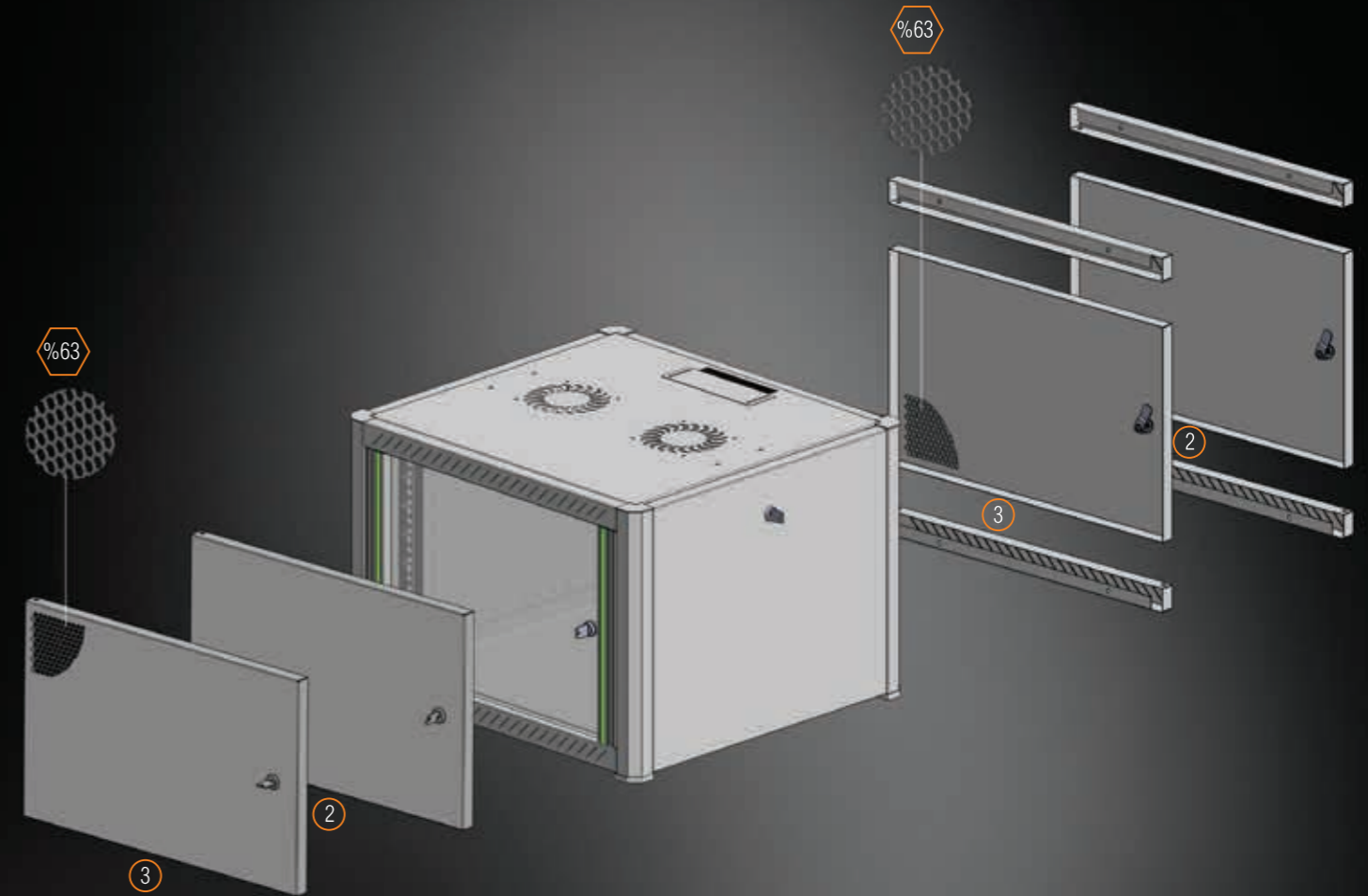
**CONSTRUCTION DRAWINGS**

WIDTH **W:** 600mm  
DEPTH **D:** 560mm



**DOOR OPTIONS**

WIDTH **W:** 600mm  
DEPTH **D:** 560mm



**WT SERIES NETWORK WALL TYPE CABINETS W=600mm D=560mm**

Product Code	Product Description	U Measurement (U)	Product Dimensions WxDxH (mm)	Width Between Rails (mm)	Ah Wall Mounting Hole Gaps (mm)	h Measurement (mm)	Package Dimensions WxDxH (mm)	Number in the Package (pcs)	Product Net Weight (kg)	Product Gross Weight (kg)	Number on Pallet (pcs)	Pallet Dimensions WxDxH (mm)	Pallet Weight (kg)	DEPTH: Between rail and rear panel (mm)
MR.WTN07U56.XX	7U W=600mm D=560mm Wall Type NETWORK	7U	600x560x423	19"	276	343	620x580x450	1	19,5	20,5	20	1200x1300x2400	436	455
MR.WTN09U56.XX	9U W=600mm D=560mm Wall Type NETWORK	9U	600x560x512	19"	365	432	620x580x540	1	21,6	22,7	16	1200x1300x2280	390	455
MR.WTN12U56.XX	12U W=600mm D=560mm Wall Type NETWORK	12U	600x560x645	19"	498	565	620x580x670	1	25,6	27	12	1200x1300x2150	350	455
MR.WTN16U56.XX	16U W=600mm D=560mm Wall Type NETWORK	16U	600x560x823	19"	676	743	620x580x850	1	30,5	32	10	1200x1300x2450	346	455
MR.WTN20U56.XX	20U W=600mm D=560mm Wall Type NETWORK	20U	600x560x1000	19"	856	920	620x580x1030	1	35,5	37	8	1200x1300x2250	322	455

XX= Color Code, 02 means Light Grey RAL 7035 and 01 means Black RAL 9005, the code is added by the customer at the order. | When one of the door options is selected, it should be informed at the order with its selected surface. | The standard door options: Front Door=1 (Glass Door), Rear Door=1 (Bracket Type Door).



WIDTH W: 600mm

DEPTH D: 150mm

Double Section modules are adaptable to all Network Series Wall Type Cabinets.



### ADDITIONAL CAPACITY

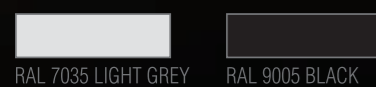
Additional depth capacity of 150mm provided by the Network Series Wall Type Cabinets allows housing of cable harness.

Equipments, conforming with 19" installation and of 70 mm depth, may be attached inside.

### MULTI DIRECTIONAL CABLE INLET

By means of 2 brushed cable entry modules of W=145mm x D=70mm found on the top and bottom, and 1 cable inlet hole of W=145mm x D=70mm found at the back, it allows multi directional cable inlet.

### COLOR OPTIONS



LOADING CAPACITY: 80kg

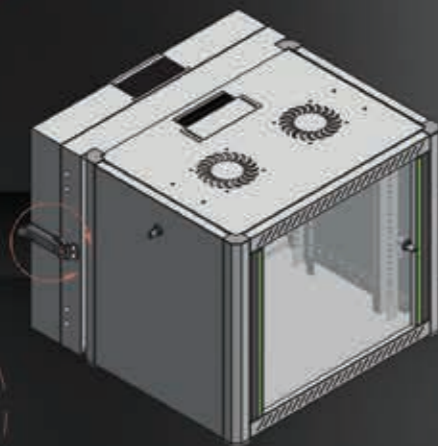
WIDTH **W:** 600mm  
 DEPTH **D:** 150mm



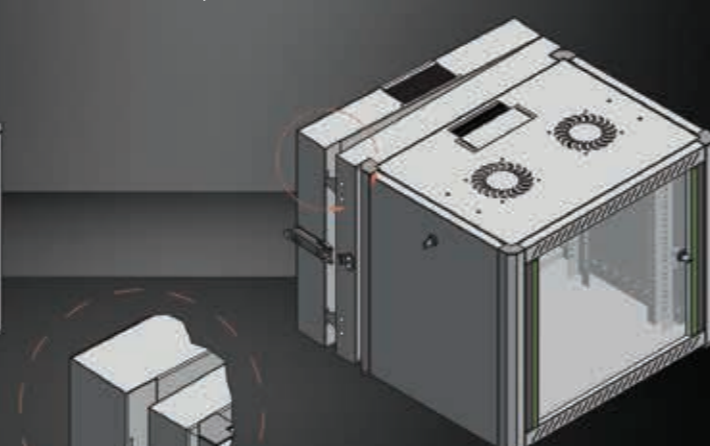
## MULTI DIRECTIONAL ACCESS

While WT Series Network Wall Type Cabinets provide access from the front and the sides at its standard use, Additional Compartment applications provide 4 directional access by an **extra access point at the back**.

By this means ease of installation and maintenance is provided.



By means of its special brace lock system it presents heavy duty locking mechanism.



Thanks to its balancing lugs, cabinet is stabilized while closing.

## CONSTRUCTION DRAWINGS

WIDTH **W:** 600mm  
 DEPTH **D:** 150mm



## DOUBLE SECTION FOR WT SERIES NETWORK WALL TYPE CABINETS W=600mm D=150mm

Product Code	Product Description	h Measurement (U)	Product Dimensions WxDxH (mm)	Width: Between Rails	At Wall Mounting Hole Gaps (mm)	h Measurement (mm)	Package Dimensions WxDxH (mm)	Number in the Package (pcs)	Product Net Weight (kg)	Product Gross Weight (kg)	DEPTH: Between rail and rear panel (mm)
MIR.EKG07UXX	7U W=600mm D=150mm DOUBLE SECTION	7U	600x150x409	19"	300	329	655x200x435	1	12,7	13,3	70
MIR.EKG09UXX	9U W=600mm D=150mm DOUBLE SECTION	9U	600x150x498	19"	389	418	655x200x525	1	14	15	70
MIR.EKG12UXX	12U W=600mm D=150mm DOUBLE SECTION	12U	600x150x631	19"	522	551	655x200x655	1	16	17	70
MIR.EKG16UXX	16U W=600mm D=150mm DOUBLE SECTION	16U	600x150x809	19"	700	729	655x200x835	1	19	21	70
MIR.EKG20UXX	20U W=600mm D=150mm DOUBLE SECTION	20U	600x150x986	19"	878	906	655x200x1015	1	22	25	70

XX= Color Code, 02 means Light Grey RAL 7035 and 01 means Black RAL 9005, the code is added by the customer at the order.