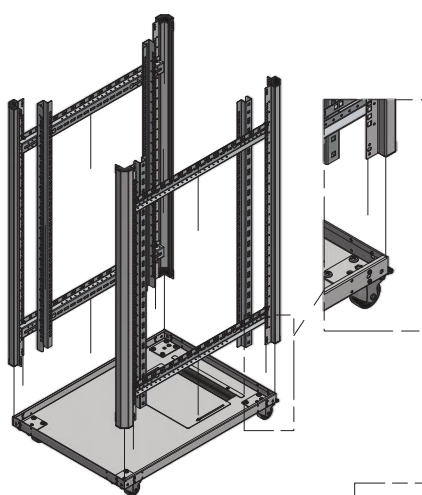
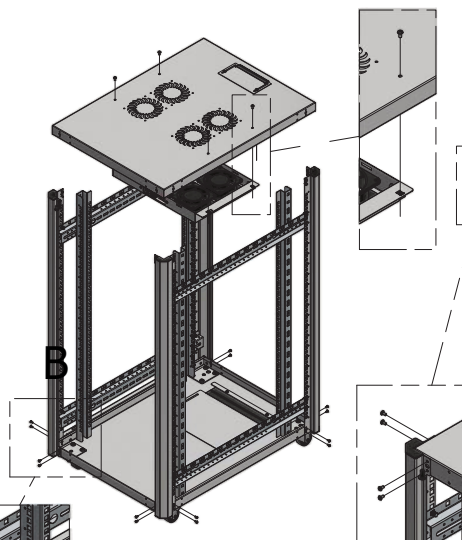


# GT-Network Assembly Instructions

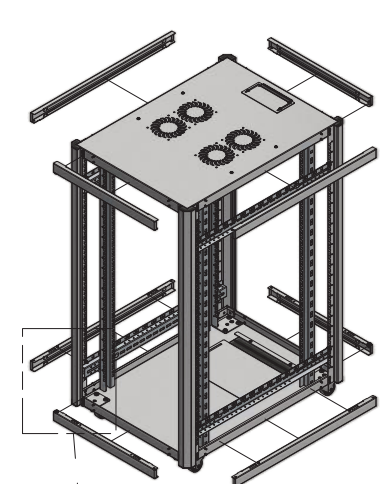
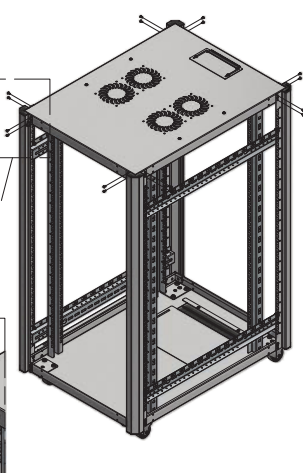


Replace the bottom plate to the level surface. Fix the vertical profiles with screws to the bottom plate. Fix the mounting rails to the bottom plate for requested depth with mounting rail screws.

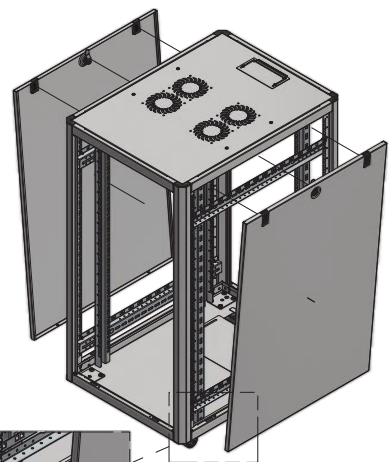


Replace the roof plate on vertical profiles and mounting rails. Fix the vertical profiles with screws to the roof plate. Fix the mounting rails to the roof plate with mounting rail screws.

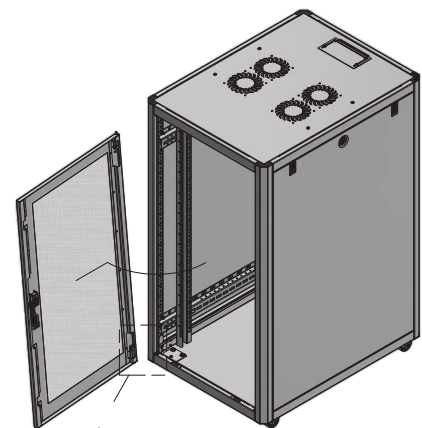
Mount the fan module to the top panel of the cabinet at 4 points.



Screw the bottom bars to bottom plate from inside

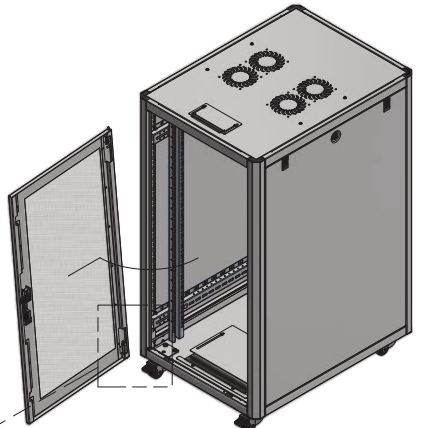
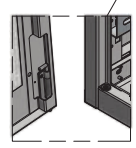
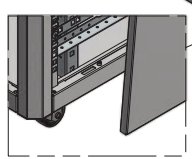
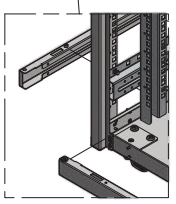


Replace the bottom side panel on special door screws on side bars.



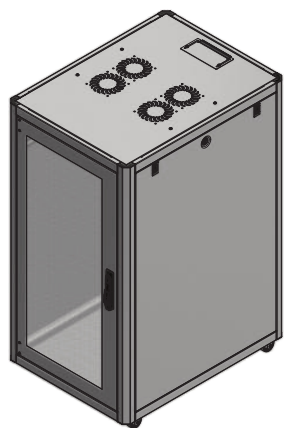
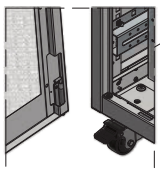
Replace plastic hinge sockets to the top and bottom profiles as shown on Picture

Replace the front door bottom hinge into the plastic hinge socket then replace the upper hinge with a help of hammer.



Replace plastic hinge sockets to the top and bottom profiles as shown on Picture

Replace the rear door bottom hinge into the plastic hinge socket then replace the upper hinge with a help of hammer.



**FINAL**