



SLIMLINE

146x537x475

WALL TYPE



Technical Details

Features

19" Device Compatibility
Separate (3U+5U) Rails
Tyre Up

Dimensions

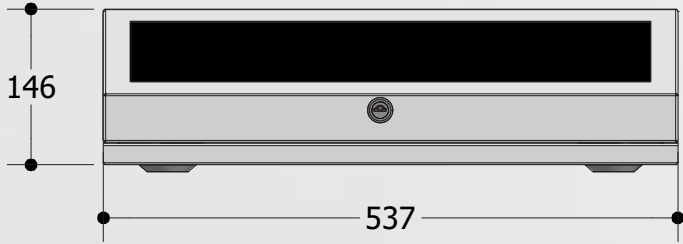
Size : 8U
Width : 537 mm
Height : 146 mm
Depth : 475 mm

Material

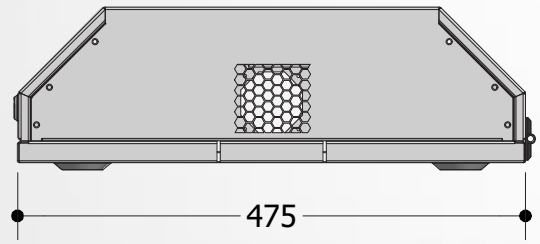
1.2 mm Steel

Appearance

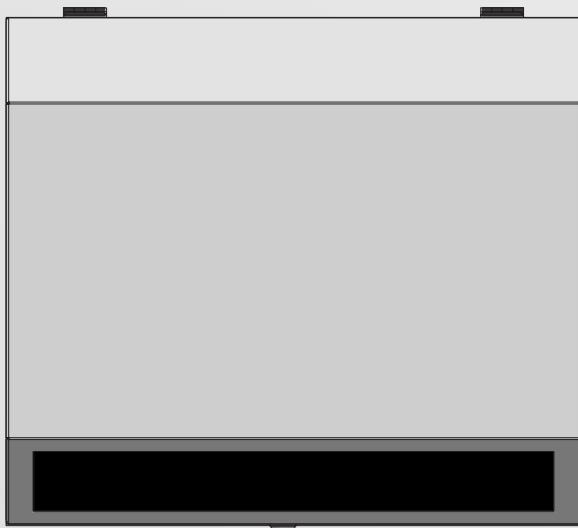
Finish Surface : Powder Coating
Color : RAL9005



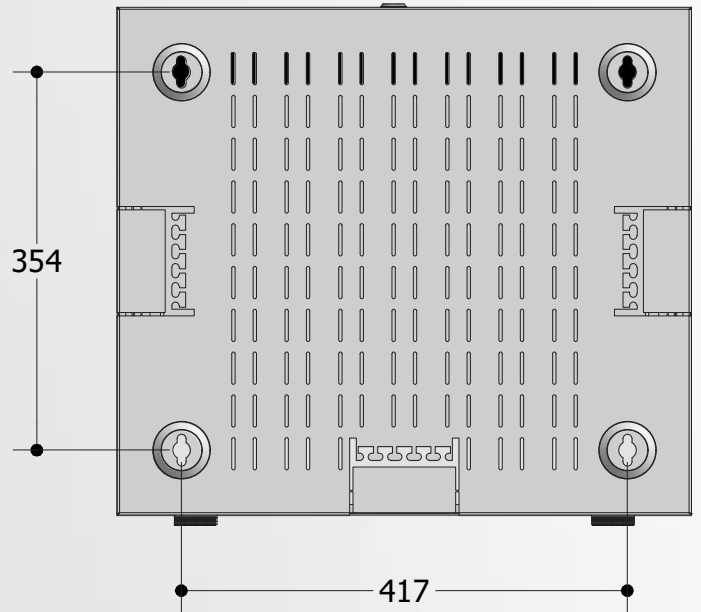
Front View



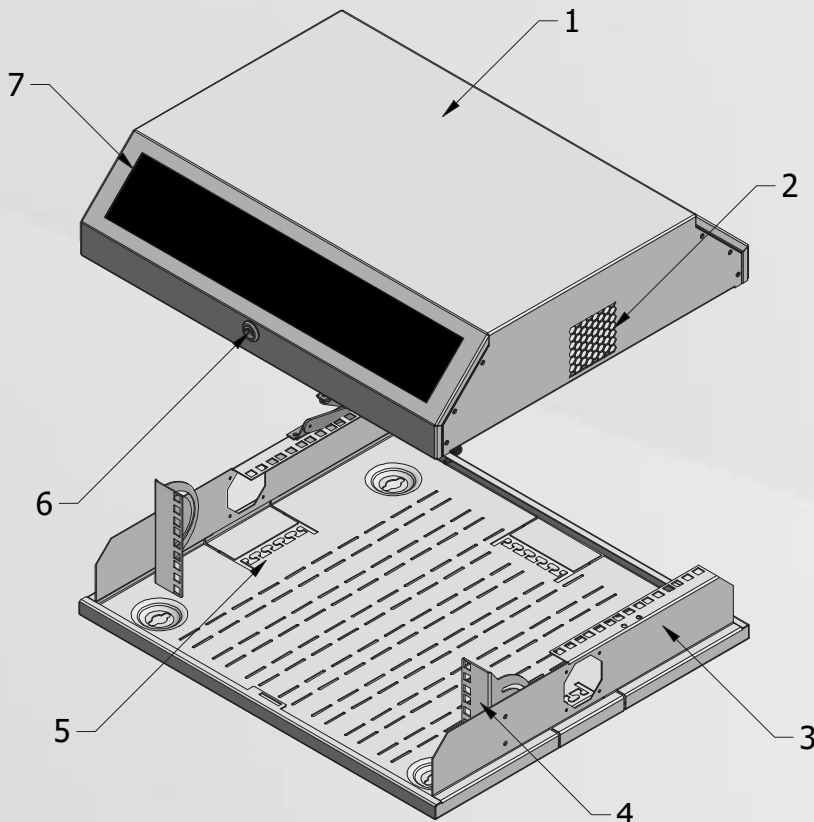
Side View



Top View



Bottom View



COMPONENT LIST	
NO	PART NAME
1	Top Panel
2	Ventilation
3	5U Rail
4	3U Rail
5	Tyre-Up
6	Panel Lock
7	Plexy